

MATERIALS AND FINISHES

BODY ZINC ALLOY
PLATED NICKEL

CENTER CONTACT PHOSPHOR BRONZE
PLATED GOLD

INSULATOR POLYPROPYLENE (94 V-2)

HOUSING VALOX 420-SE0
COLOR BLACK

SOLDER TAIL COPPER OVER STEEL WIRE
PLATED TIN

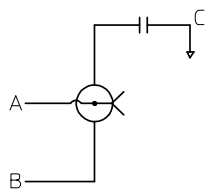
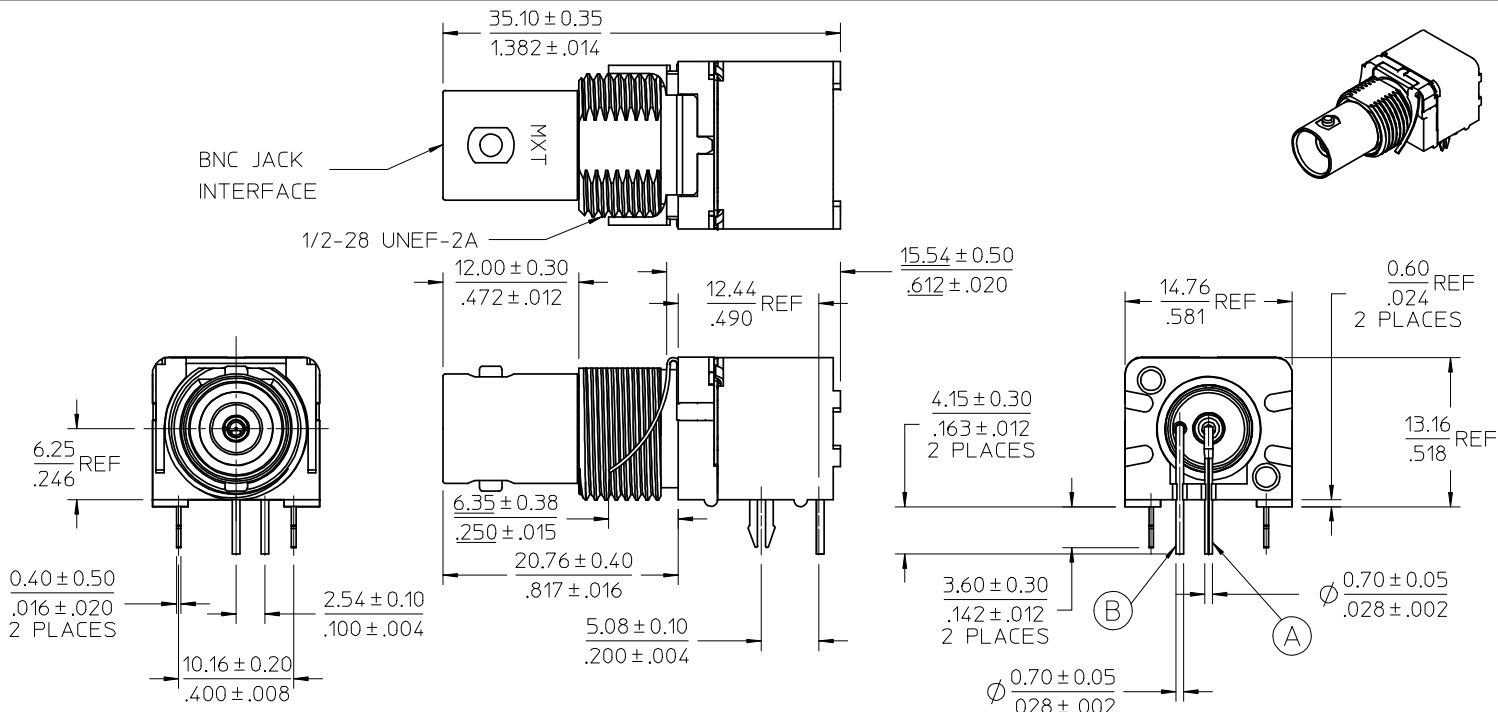
FRONT CLIP PHOSPHOR BRONZE
PLATED NICKEL

CHIP CAPACITOR MULTILAYER CERAMIC

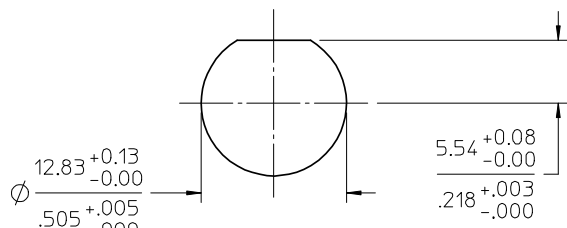
BOARD CLIP PHOSPHOR BRONZE
PLATED TIN

BNC JACK
INTERFACE

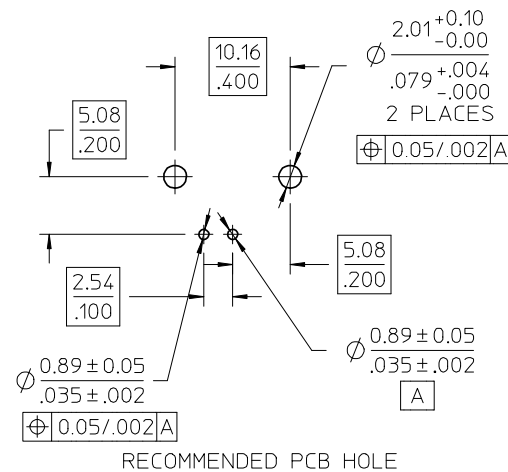
1/2-28 UNEF-2A



SCHEMATIC
9400 ± 20% PF, 1.5 KV W V_{dc}



RECOMMENDED MOUNTING HOLE
RECOMMENDED MOUNTING TORQUE:
0.56 N-m(5.00 IN-LBS)
PANEL THICKNESS: 5.5 (.217) MAX



RECOMMENDED PCB HOLE

ES-73599-0000	INTERFACE
PS-73598-0010	ELECTRO/MECH PERFORM.
SPECIFICATION	DESCRIPTION

73171-3030	73100-0090, ONE PER BAG
73100-0090	TRAY
PART NO.	PACKAGING

CHG: ADDED 94 V-2
TO MATERIALS
.217 PANEL WAS 2.17

EC NO: URF2008-0413
2008/02/08
DRWN: WIENER
2008/02/08
CHKD: SHAH
2008/02/11
APPR: WIENER
2008/02/11

QUALITY SYMBOLS
▽=0
▽=0

GENERAL TOLERANCES (UNLESS SPECIFIED)

	mm	INCH
4 PLACES	± .005	± .0004
3 PLACES	± .005	± .0004
2 PLACES	± .005	± .0004
1 PLACE	± .005	± .0004

ANGULAR ± 2 °

DRAFT WHERE APPLICABLE
MUST REMAIN
WITHIN DIMENSIONS

DIMENSION STYLE
MM/IN

DRAWN BY	DATE
ROGER	1994/10/13
CHECKED BY	DATE
WANG	1994/10/19
APPROVED BY	DATE
MISEN	1994/10/23

MATERIAL NO.
SEE TABLE

SCALE
DESIGN UNITS
METRIC

THIRD ANGLE PROJECTION

TITLE
BNC JACK, R/A RECEPTACLE
50 OHMS FILTER
BNC-J/PCB/RA/BK

MOLEX INCORPORATED

DOCUMENT NO.
SD-73100-0090

SHEET NO.
1 OF 1